



US00D824052S

(12) **United States Design Patent**  
**Conte et al.**

(10) **Patent No.:** **US D824,052 S**  
(45) **Date of Patent:** **\*\* Jul. 24, 2018**

- (54) **VEHICLE LED BULB**
- (71) Applicants: **Paul Jerome McCain**, Earth City, MO (US); **Matthew Stephen Conte**, Earth City, MO (US)
- (72) Inventors: **Matthew Stephen Conte**, St. Charles, MO (US); **Paul Jerome McCain**, St. Charles, MO (US)
- (73) Assignee: **Diode Dynamics, LLC**, Earth City, MO (US)
- (\*\*) Term: **15 Years**

D722,398 S *	2/2015	Tewell .....	D26/28
D740,984 S *	10/2015	Chen .....	D26/28
D769,486 S *	10/2016	Ma .....	D26/28
D769,487 S *	10/2016	Ma .....	D26/28
D769,488 S *	10/2016	Ma .....	D26/28
D769,489 S *	10/2016	Ma .....	D26/28
D769,490 S *	10/2016	Ma .....	D26/28
D777,961 S *	1/2017	Wu .....	D26/28
D783,191 S *	4/2017	Riffner .....	D26/28
D789,577 S *	6/2017	Xu .....	D26/28
D789,578 S *	6/2017	Woodworth .....	D26/28

\* cited by examiner

*Primary Examiner* — Angela J Lee

- (21) Appl. No.: **29/597,387**
- (22) Filed: **Mar. 16, 2017**
- (51) **LOC (11) Cl.** ..... **26-07**
- (52) **U.S. Cl.**  
USPC ..... **D26/28**
- (58) **Field of Classification Search**  
USPC ..... D26/28–36; 362/459–468, 475–478,  
362/485–487  
CPC ..... F21S 48/00; F21S 48/10; F21S 48/115;  
F21S 48/225; F21S 48/1233; F21S  
48/1266; F21S 48/1388; F21S 48/2268;  
F21V 21/04  
See application file for complete search history.

(56) **References Cited**

**U.S. PATENT DOCUMENTS**

D367,330 S *	2/1996	Gill .....	D10/111
D720,483 S *	12/2014	Saddig .....	D26/28

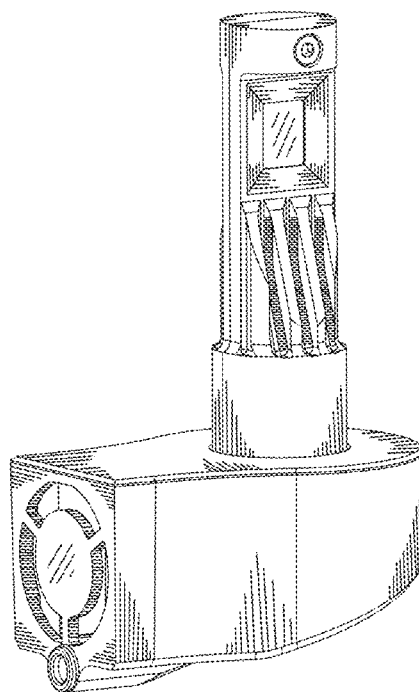
(57) **CLAIM**

We claim the ornamental design for a vehicle LED bulb, as shown and described.

**DESCRIPTION**

FIG. 1 is a rear left perspective view of a vehicle LED bulb embodying the new design;  
 FIG. 2 is a front left perspective view;  
 FIG. 3 is a front right perspective view;  
 FIG. 4 is a left side elevational view;  
 FIG. 5 is a front elevational view;  
 FIG. 6 is a rear elevational view;  
 FIG. 7 is a top view; and,  
 FIG. 8 is a bottom view.

**1 Claim, 7 Drawing Sheets**



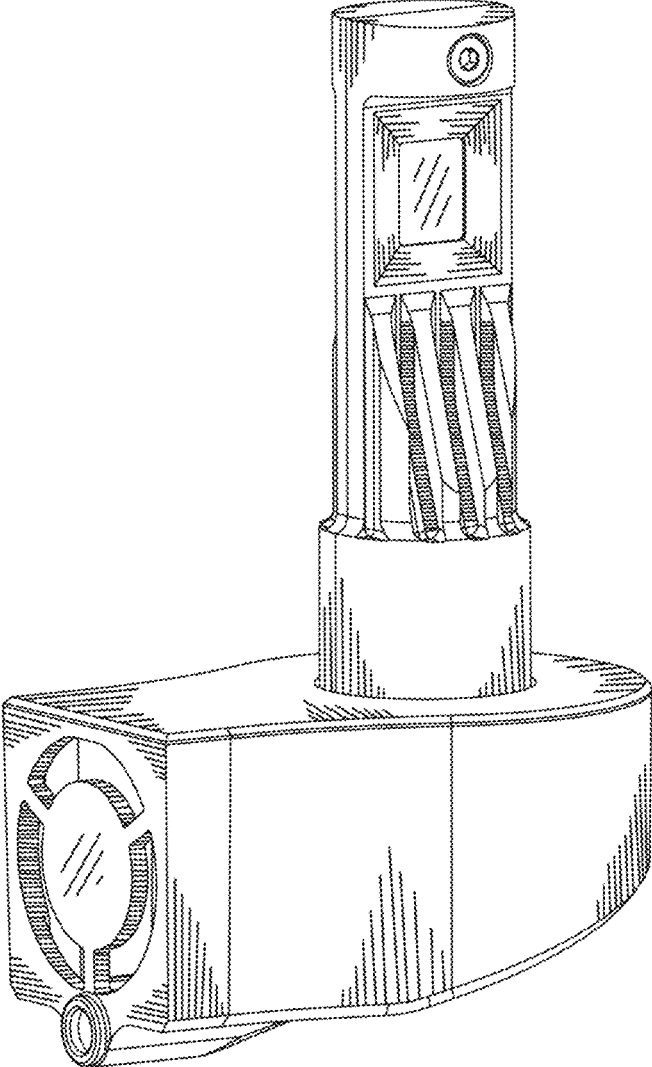


FIG. 1

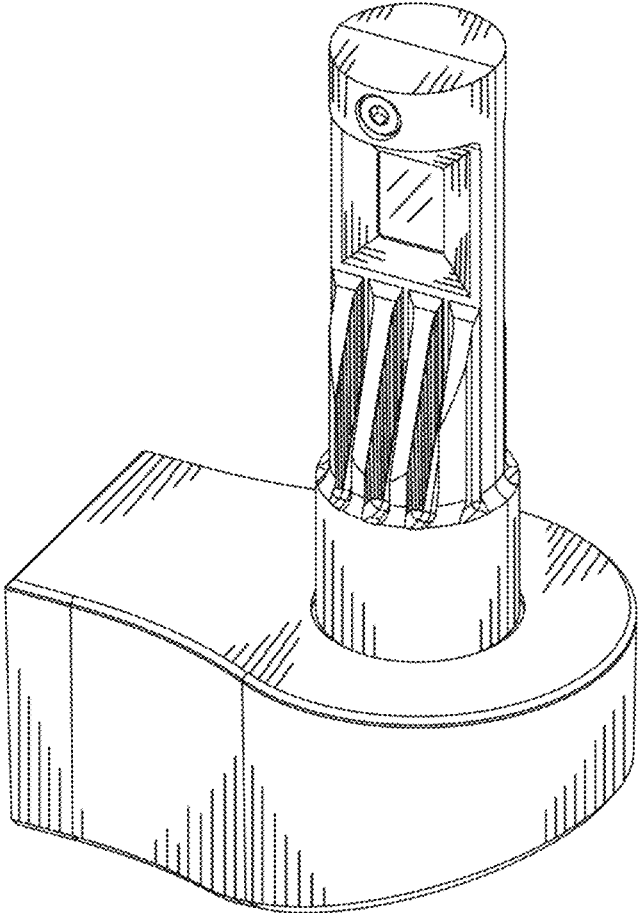


FIG. 2

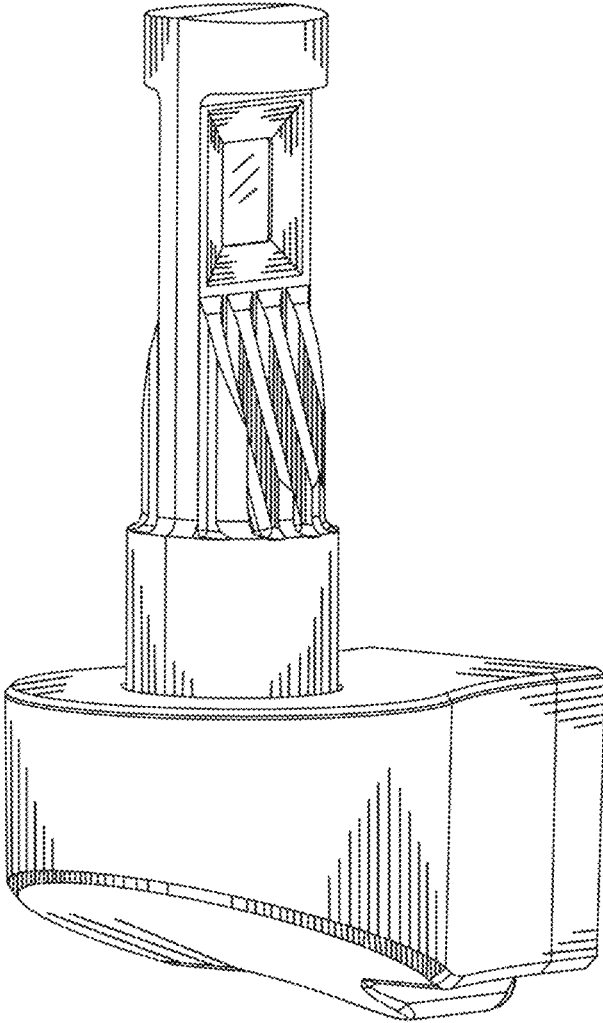


FIG. 3

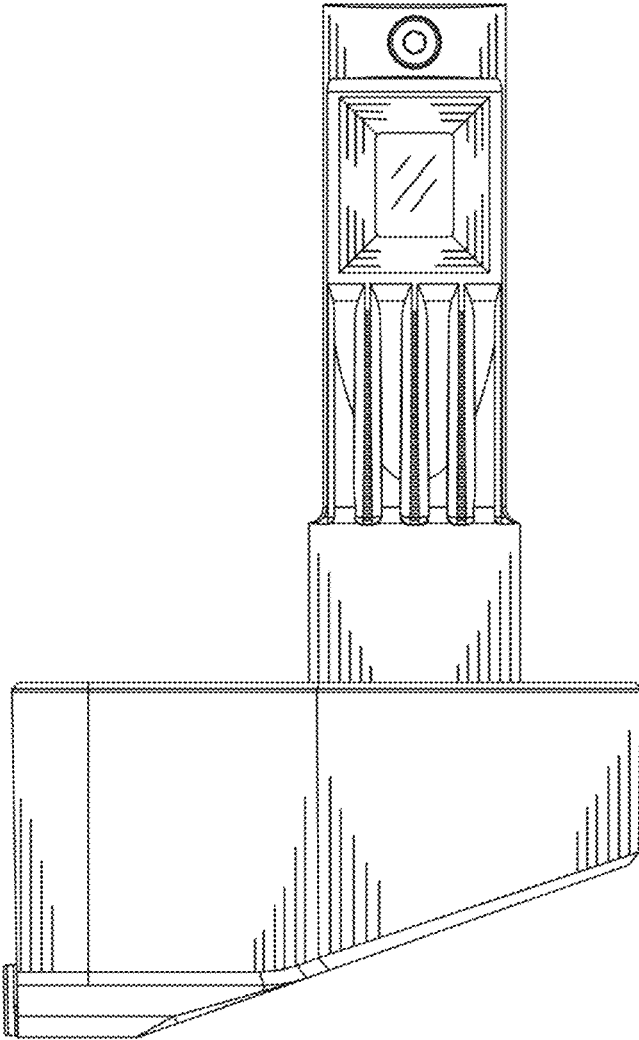


FIG. 4

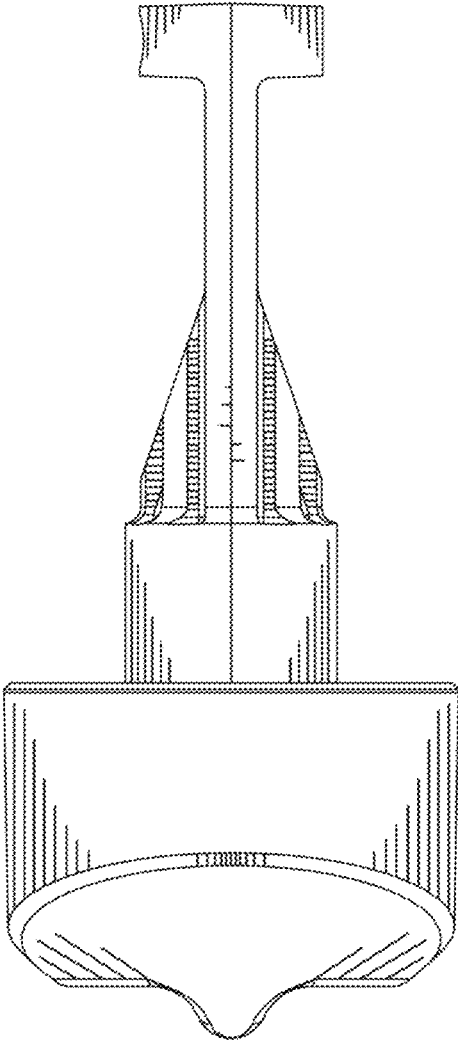


FIG. 5

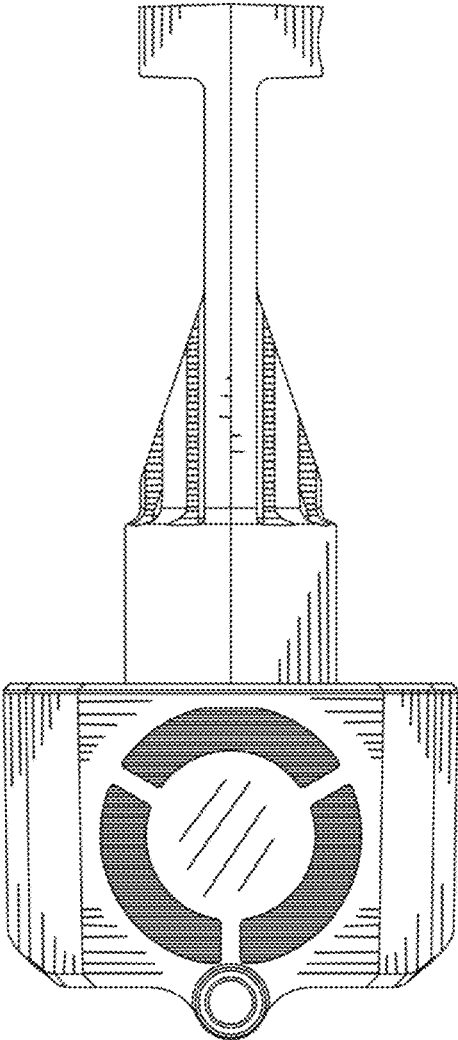


FIG. 6

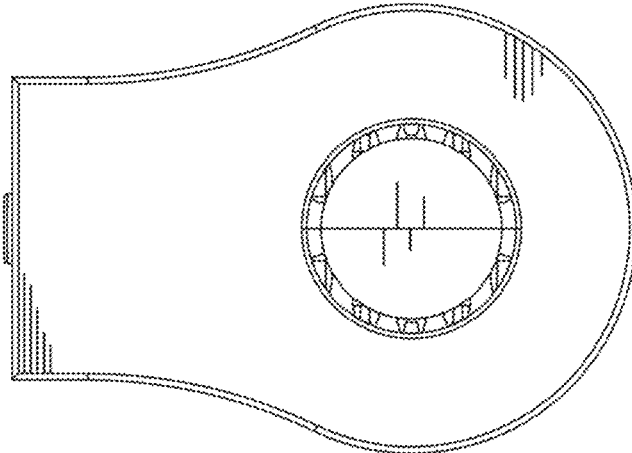


FIG. 7

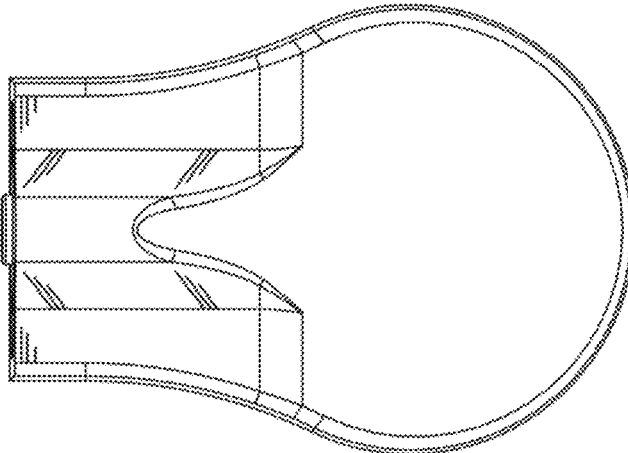


FIG. 8